

# SHANGHAI HUIFENG MEDICAL INSTRUMENT CO.,LTD.

Add:Building2, NO.885, Qiuxing Road, Nicheng Town, Pudong New Area, Shanghai, China.

Sales Department

Tel : +8621-58082099, 58084992

Fax : +8621-58085105

E-mail : info@huifeng-co.com

Zip : 201306

www.sh-huifeng.com

# HFMED®

MODEL

## 700/700 LED

Shadowless Operating lamp



### Precise

Uniform, homogeneous lighting in surface and deep cavity procedures thanks to 700 700LED's innovative shadow control.



### Simple

Our ergonomic, sterile operating concept allows for the simple and flexible control of all functions by the surgical team.



### Durable

Almost unlimited LED life expectancy delivers tremendous product reliability and investment protection.



### Efficient

Environmentally proactive: low power consumption and durable LEDs minimize the impact on our precious resources.

MEET THE VARIOUS REQUIREMENTS OF GENERAL SURGERY

# SHANGHAI HUIFENG MEDICAL INSTRUMENT CO.,LTD.

Add:Building2, NO.885, Qiuxing Road, Nicheng Town, Pudong New Area, Shanghai, China.

Sales Department

Tel : +8621-58082099, 58084992

Fax : +8621-58085105

E-mail : info@huifeng-co.com

Zip : 201306

www.sh-huifeng.com

# HFMED®

## 700/700 LED



## Main Technical Data

### 700/700 LED Adjust Color Temperature

<b>Illuminance</b>	≥160,000Lux	≥160,000Lux
<b>Colour temperature</b>	3500±500k	3800±500k 4100±500k 4400±500k 4700±500k 5000+500k
<b>Colour reduction index(Ra)</b>	95	
<b>Total irradiance</b>	544W/m <sup>2</sup>	544W/m <sup>2</sup>
<b>Size of light field</b>	250-300mm	
<b>Service life of illuminant</b>	50,000h	
<b>Power supply voltage</b>	AC110-240V	50/60Hz
<b>Best height of installation</b>	2900mm	
<b>Total power consumption</b>	80W	80W
<b>Total LED bulb quantity</b>	218pcs	(18*6+18*6)
<b>Illuminance depth</b>	≥1400mm	
<b>ENDO</b>	YES	

MEET THE VARIOUS REQUIREMENTS OF GENERAL SURGERY

# SHANGHAI HUIFENG MEDICAL INSTRUMENT CO.,LTD.

Add:Building2, NO.885, Qiuxing Road, Nicheng Town, Pudong New Area, Shanghai, China.

Sales Department

Tel : +8621-58082099, 58084992

Fax : +8621-58085105

E-mail : info@huifeng-co.com

Zip : 201306

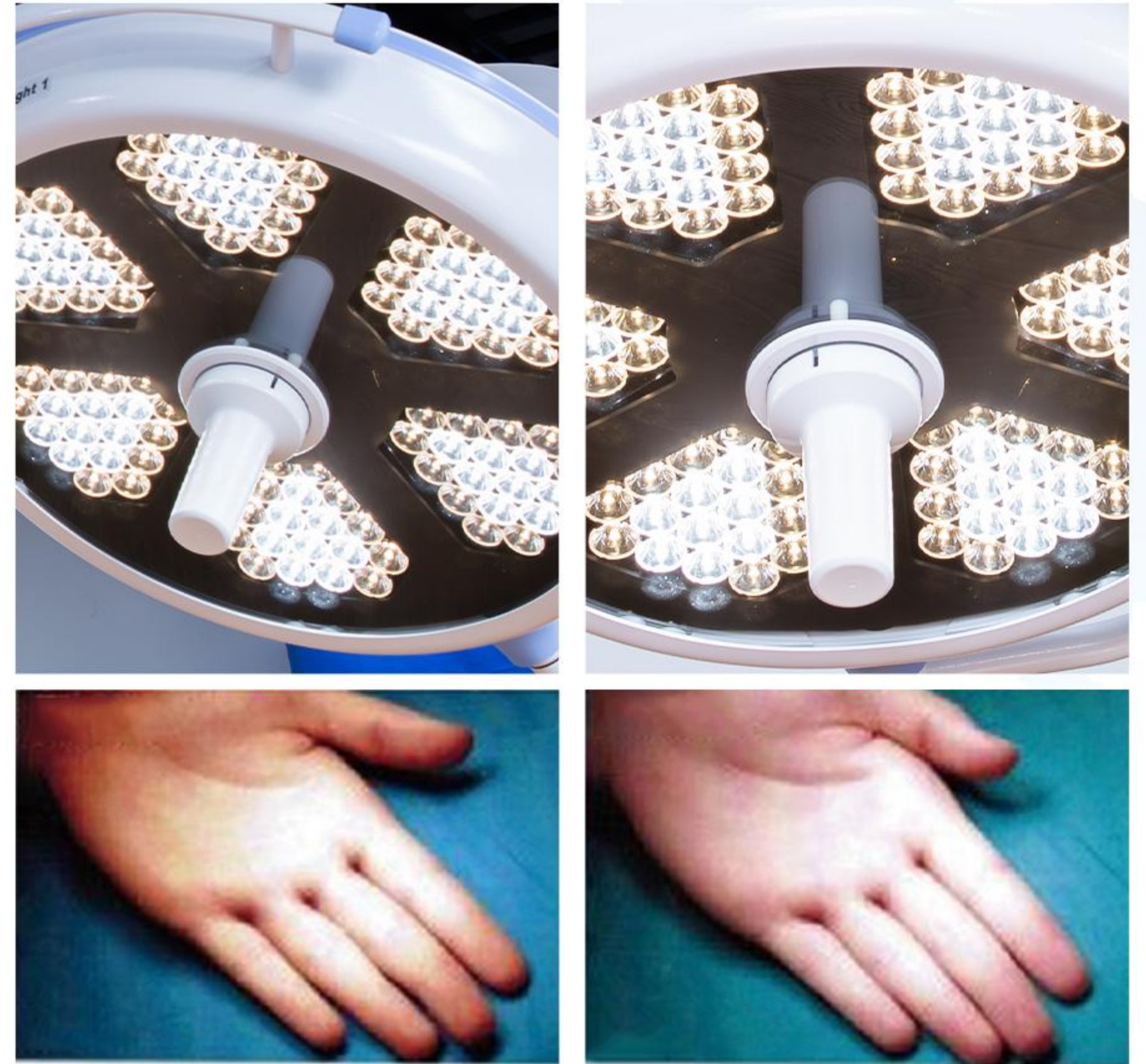
www.sh-huifeng.com

# HFMED®

## 700/700 LED Shadowless Operating lamp

### Adjustable color temperature

Through reliable beam synthesis control technology, the color temperature can be adjusted between 3500K-5000K under the condition that the color rendering index is 93. Surgeons can adjust the color temperature according to their own habits or different surgical sites to achieve the ideal tissue contrast and achieve the best tissue resolution.



### 700/700LED one key low light (Endoscope)

The operation shadowless lamp is equipped with a one-key low light (endoscope) lighting mode, which is convenient for the surgeon to quickly switch from the general mode. It does not interfere with the doctor's field of vision and the observation of tissues during endoscopic surgery.



General mode



700LED Endoscope Mode

MEET THE VARIOUS REQUIREMENTS OF GENERAL SURGERY

# SHANGHAI HUIFENG MEDICAL INSTRUMENT CO.,LTD.

Add: Building 2, NO.885, Qiuxing Road, Nicheng Town, Pudong New Area, Shanghai, China.

Sales Department

Tel : +8621-58082099, 58084992

Fax : +8621-58085105

E-mail : info@huifeng-co.com

Zip : 201306

www.sh-huifeng.com

# HFMED®

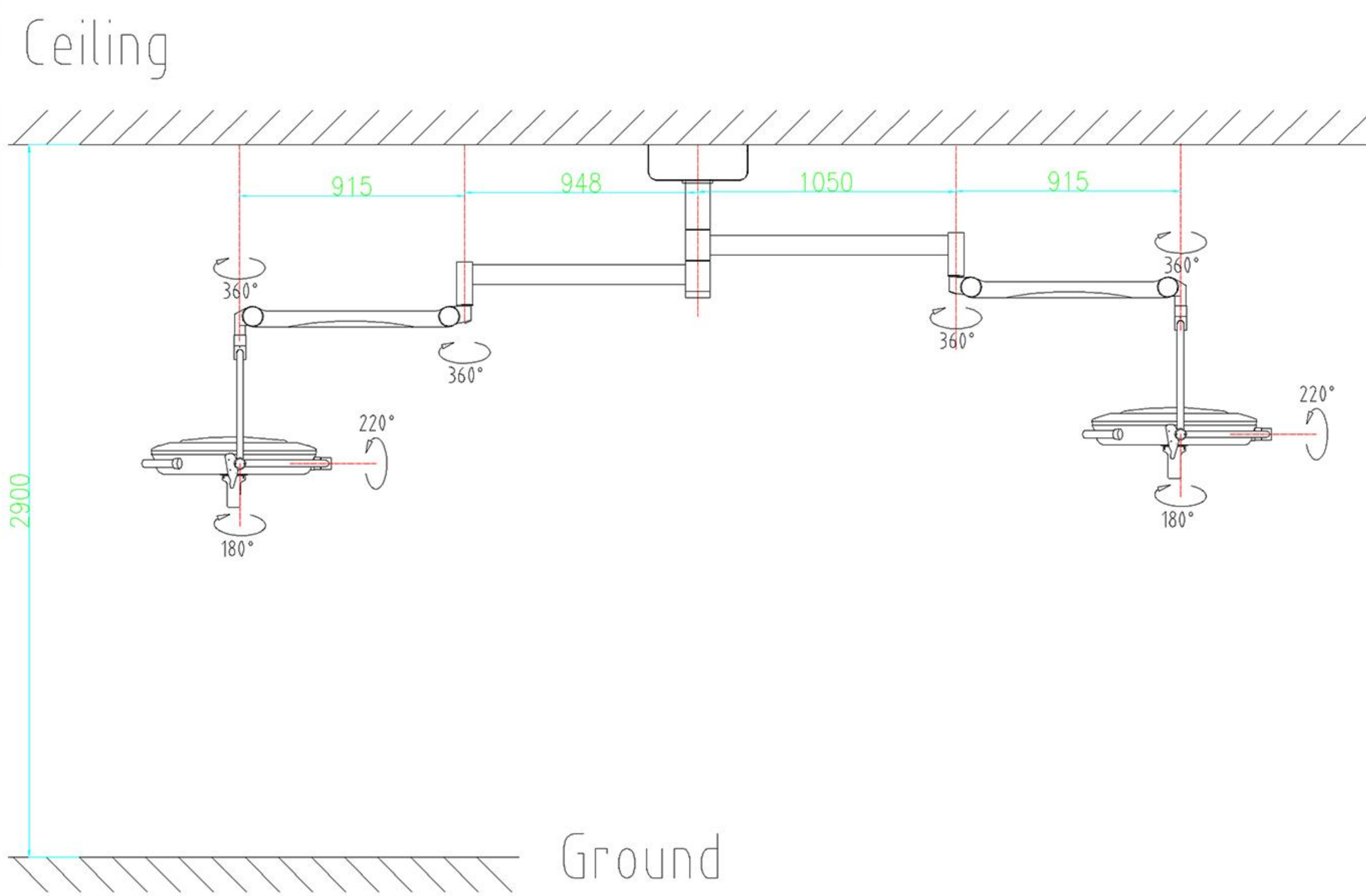
MODEL

## 700/700 LED

Shadowless Operating lamp



Official QR code



MEET THE VARIOUS REQUIREMENTS OF GENERAL SURGERY